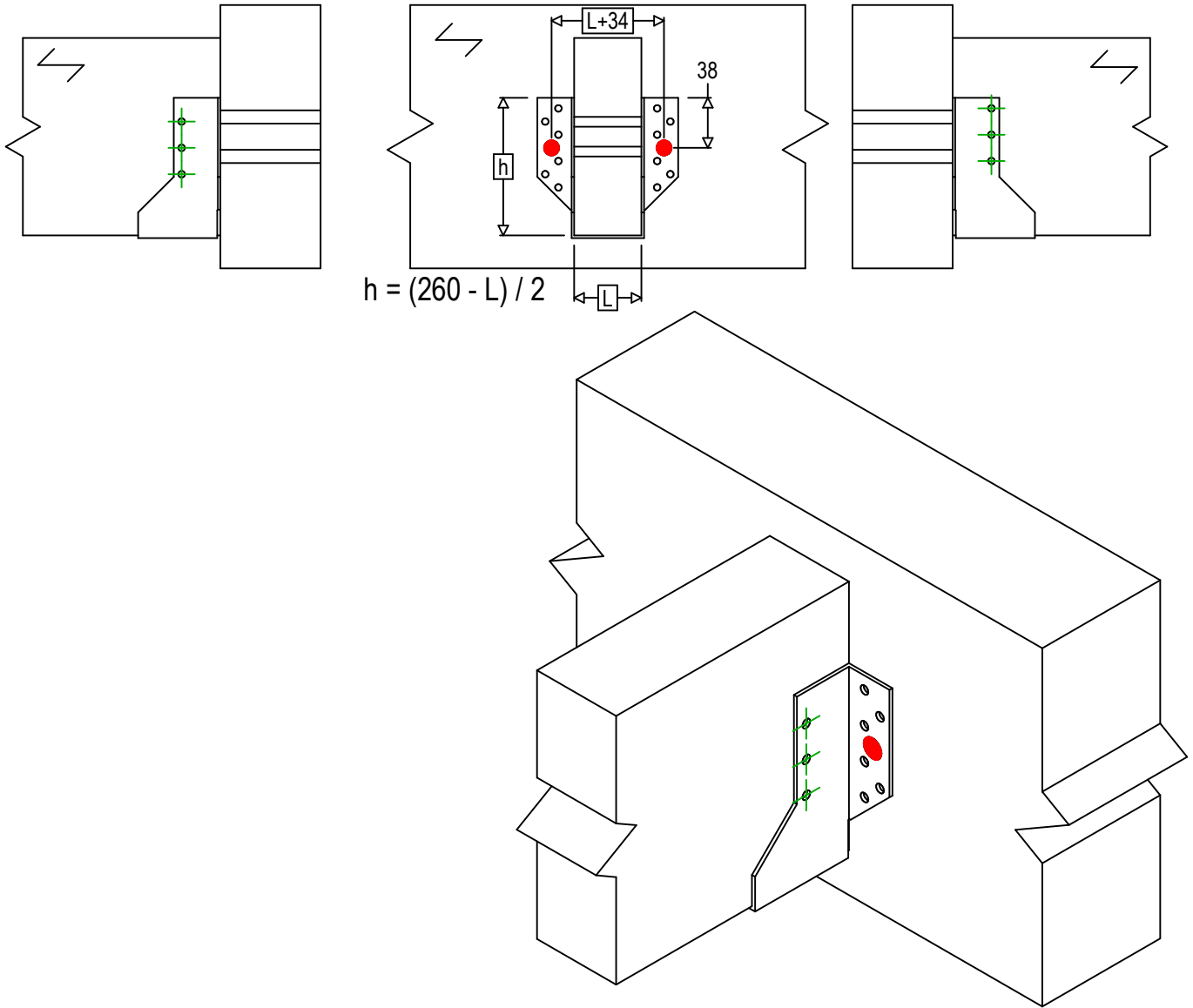




<b>Item</b>	<b>=</b>	BSNN260	
<b>Fasteners</b>	<b>=</b>	Timber to timber	Joist to beam
<b>Type of fastening</b>	<b>=</b>	Fixing with SSH	



Header Fastener(s)	Symbol	Fasteners	Fasteners		Qty	
		SSH	SSH10.0X40			2
		-	-			
-		-				
Joist Fastener(s)	Symbol	Fasteners	L < 64mm	L > 64mm	Qty	
		CNA	CNA4.0X35	CNA4.0X50	6	
		CSA	CSA5.0X35	CSA5.0X40		