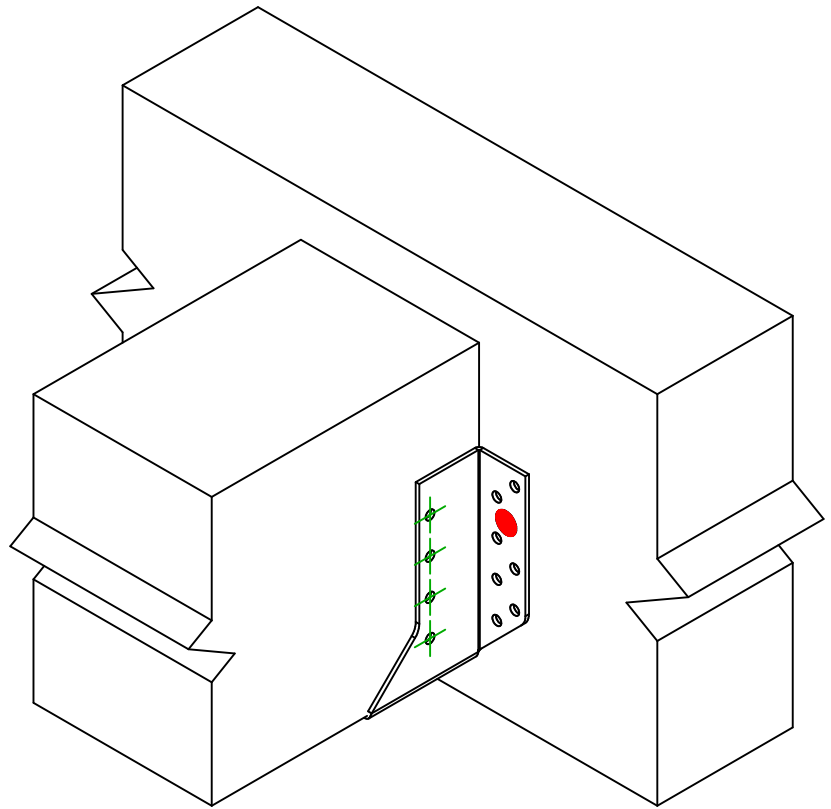
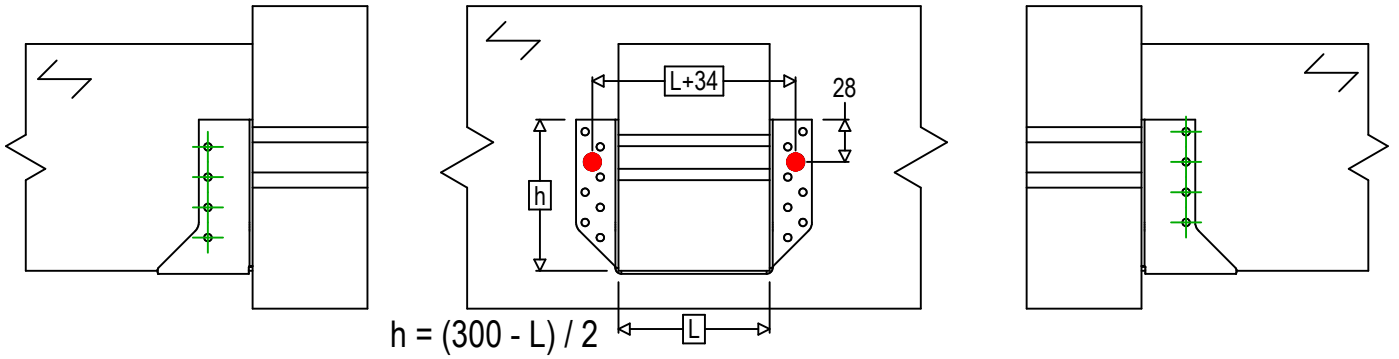




Item	=	BSNN300	
Fasteners	=	Timber to timber	Joist to beam
Type of fastening	=	Fixing with SSH	



Header Fastener(s)	Symbol	Fasteners	Fasteners		Qty
	●	SSH	SSH10.0X40		2
		-	-		
Joist Fastener(s)	Symbol	Fasteners	L < 64mm	L > 64mm	Qty
	⊕	CNA	CNA4.0X35	CNA4.0X50	8
		CSA	CSA5.0X35	CSA5.0X40	