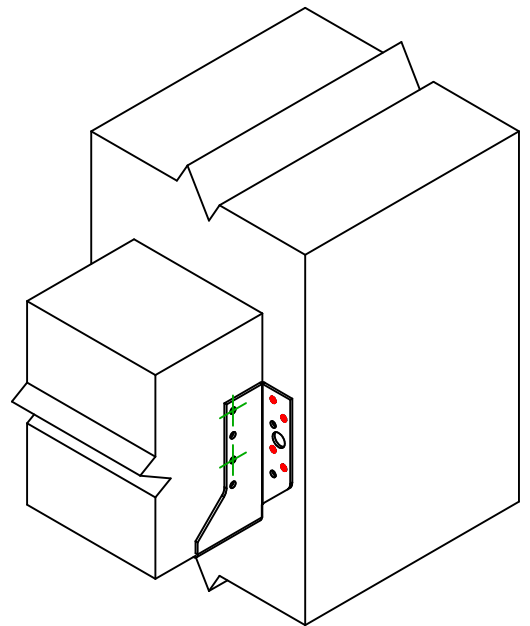
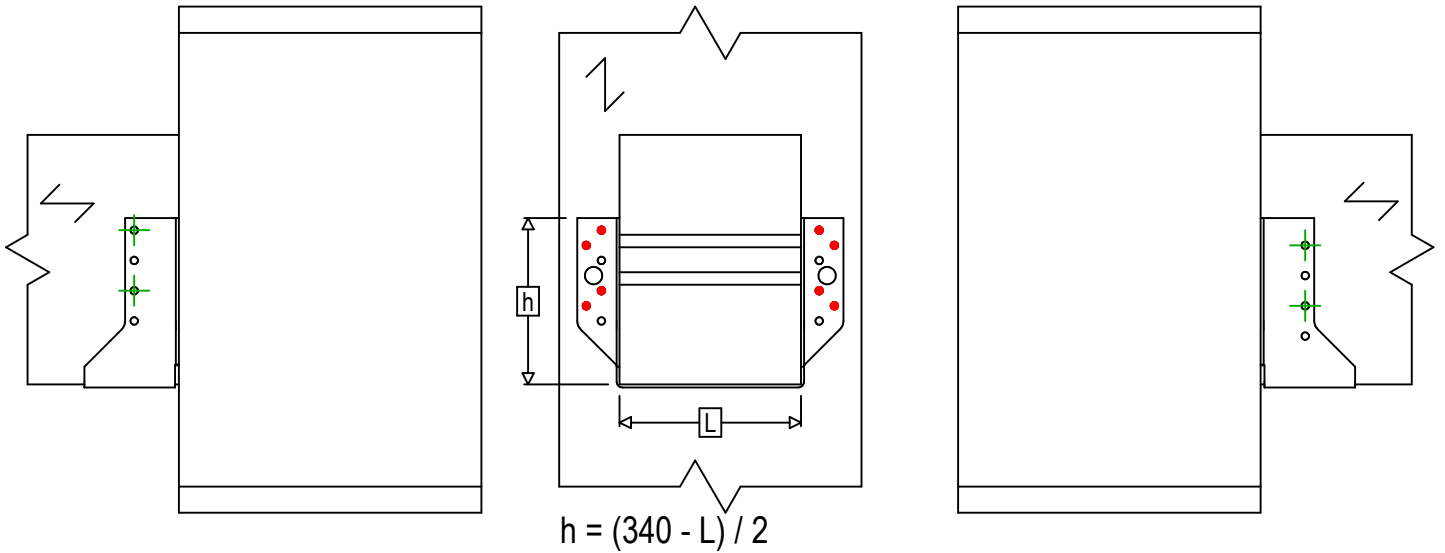




<b>Item</b>	<b>=</b>	BSNN340	
<b>Fasteners</b>	<b>=</b>	Timber to timber	Joist to post
<b>Type of fastening</b>	<b>=</b>	Partial nailing	



Header Fastener(s)	Symbol	Fasteners	Fasteners		Qty	
		CNA		CNA4.0X35 / CNA4.0X50		8
		CSA		CSA5.0X35 / CSA5.0X40		
-		-	-			
Joist Fastener(s)	Symbol	Fasteners	L < 64mm	L > 64mm	Qty	
		CNA		CNA4.0X35	CNA4.0X50	4
		CSA		CSA5.0X35	CSA5.0X40	