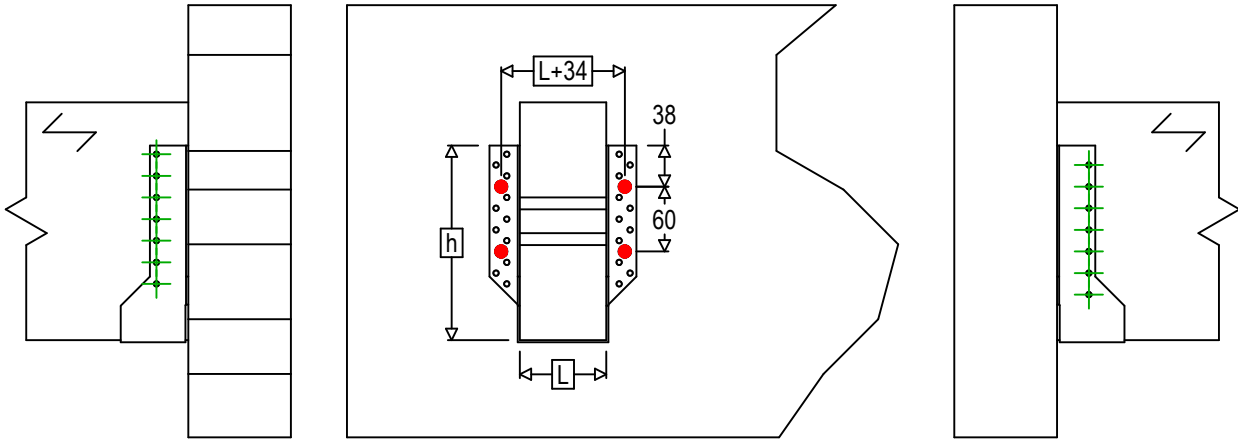
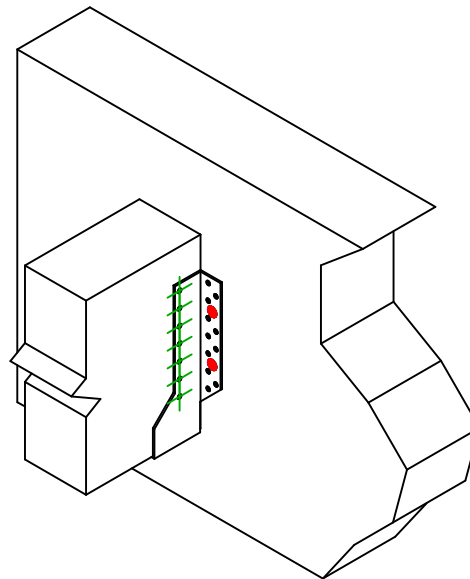




<b>Item</b>	=	BSNN440	
<b>Fasteners</b>	=	Timber to rigid support	Joist to beam
<b>Type of fastening</b>	=	Fixing on rigid support	



$$h = (440 - L) / 2$$



Header Fastener(s)	Symbol	Fasteners	Fasteners		Qty	
		FM753		FM 753 EVO M10X78/5		4
		LMAS		LMASM10		
THD			THD08070			
Joist Fastener(s)	Symbol	Fasteners	L < 64mm	L > 64mm	Qty	
		CNA		CNA4.0X35	CNA4.0X50	14
		CSA		CSA5.0X35	CSA5.0X40	