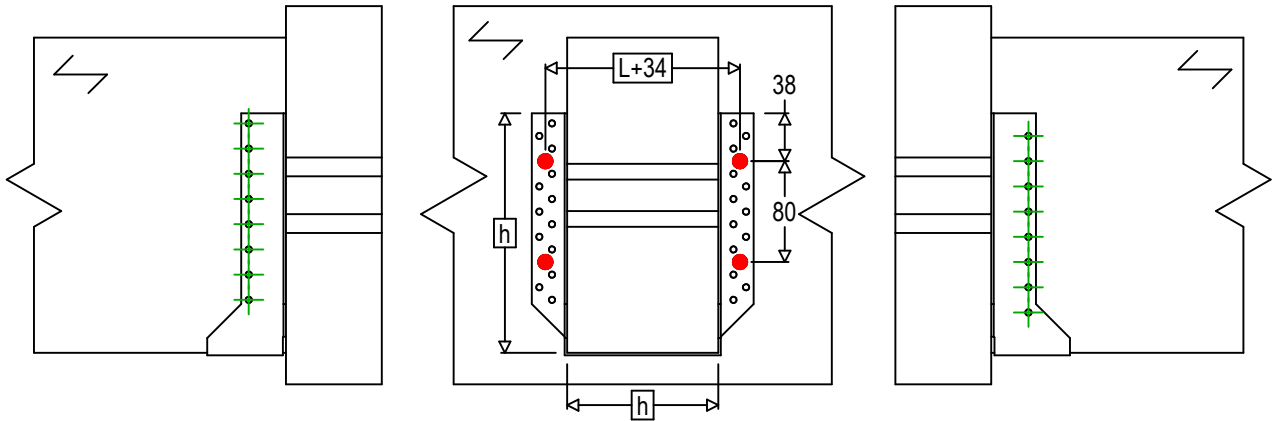
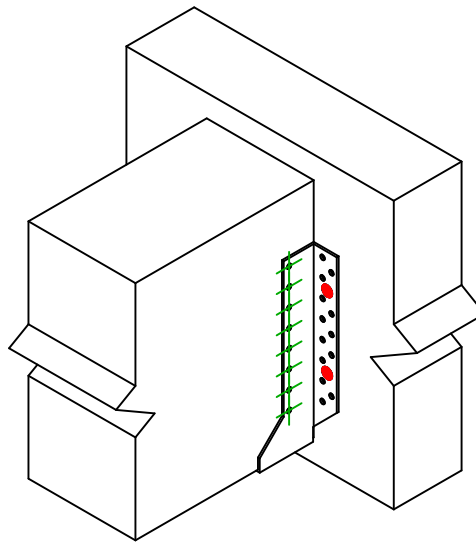




Item	=	BSNN500	
Fasteners	=	Timber to timber	Joist to beam
Type of fastening	=	Fixing with SSH	



$$h = (500 - L) / 2$$



Header Fastener(s)	Symbol	Fasteners	Fasteners		Qty
	●	SSH	SSH10.0x40		4
		-	-		
-	-		-		
Joist Fastener(s)	Symbol	Fasteners	L < 64mm	L > 64mm	Qty
	⊕	CNA	CNA4.0X35	CNA4.0X50	16
		CSA	CSA5.0X35	CSA5.0X40	
-	-		-		