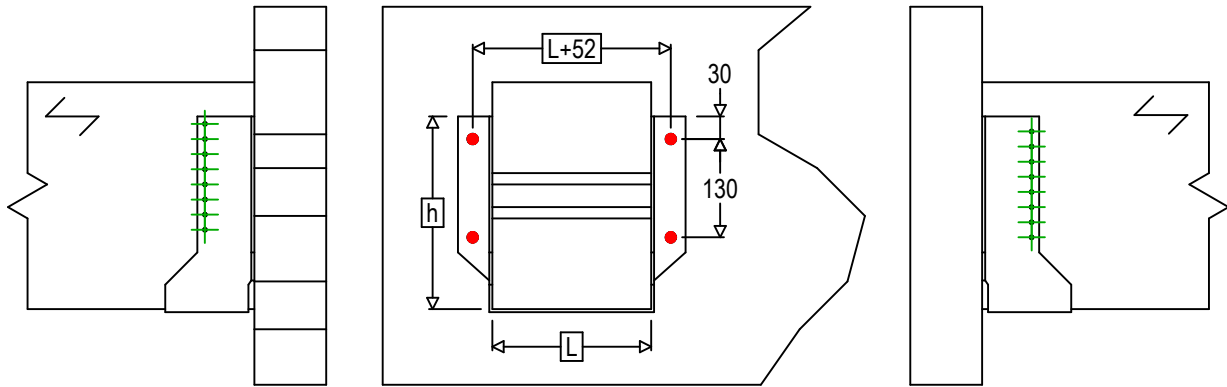
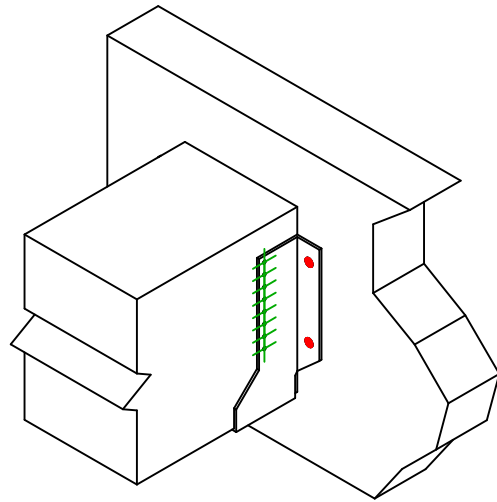




<b>Item</b>	=	GSEXL720	
<b>Fasteners</b>	=	Timber to rigid support	Joist to beam
<b>Type of fastening</b>	=	Fixing on rigid support	



$$h = (720 - L) / 2$$



Header Fastener(s)	Symbol	Fasteners	Fasteners		Qty
			FM753	FM 753 EVO M12X104/5	
		LMAS	LMASM12		
		THD	THD10080		
Joist Fastener(s)	Symbol	Fasteners	L < 64mm	L > 64mm	Qty
		CNA	CNA4.0X35	CNA4.0X50	16
		CSA	CSA5.0X35	CSA5.0X40	